

Portable Air Conditioner

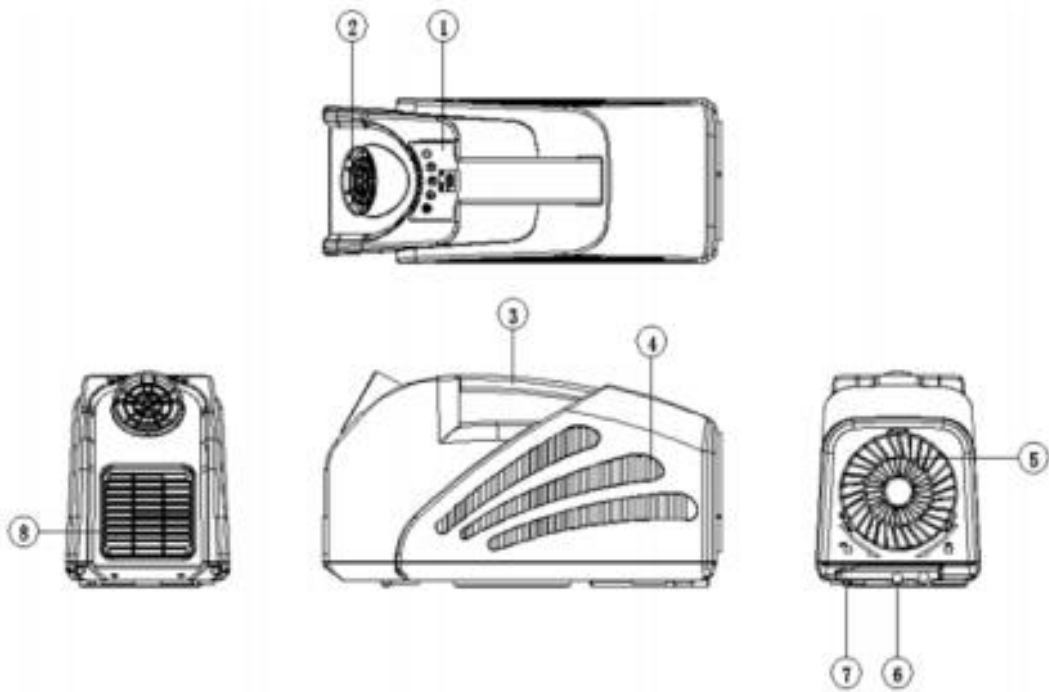
Safety Instruction

Before using this product, please read all instructions in this manual and pay attention to relevant warnings

When using electrical appliances, the following basic precautions should be taken:

- ✧ This product is not suitable for people with weak physical, sensory or mental abilities (including children), unless under the supervision or guidance of a competent person
- ✧ This product should not be used as a toy. Children should pay close attention to it when using it
- ✧ This product is only suitable for dry place, do not use on wet surface
- ✧ Do not touch the plug or other parts with wet hands
- ✧ Do not use if power cord or plug is damaged. Replacement must be completed by professionals to avoid hazards
- ✧ If the equipment doesn't work, please don't disassemble it by yourself, please contact after-sales service
- ✧ Do not put fingers or sticky material into the air outlet or cooling outlet
- ✧ Please use and replace accessories according to the manufacturer's instructions
- ✧ Even if the equipment is seriously damaged, do not burn, the compressor may explode in the fire

Air Conditioner Sketch



① Display Board

② Cooling Air Outlet

③ Handle

④ Condenser air inlet




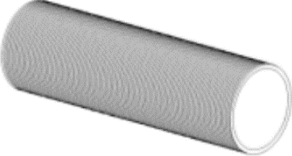



⑤ Hot Air Outlet

⑥ Power supply socket

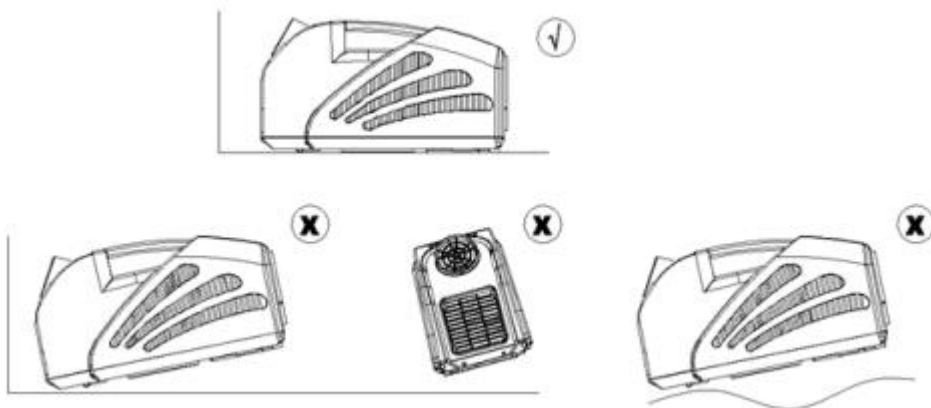
⑦ Water Out

⑧ Evaporator Air inlet

Air Conditioner Accessories

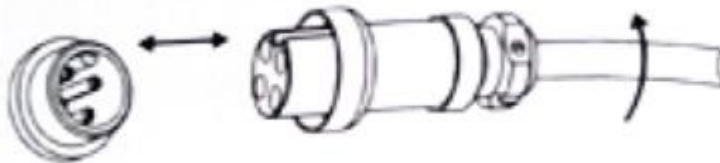
Hot Air Pipe Connection	 A cylindrical metal component with a flange and a central opening, used for connecting hot air pipes.
Cold Air Pipe Connection	 A cylindrical metal component with a flange and a central opening, used for connecting cold air pipes.
Air Duct (Big)	 A large, cylindrical, flexible air duct with a mesh-like texture.
Air Duct (Small)	 A smaller, cylindrical, flexible air duct with a mesh-like texture.
Adaptor	 A rectangular component with two curved wires extending from one end, used for connecting different types of pipes or cables.
Water Drain Pipe	 A long, thin, flexible pipe with a curved end, used for draining water from the air conditioner.
24V DC Power Cable	 A power cable with a connector on one end and a long, thin, flexible section, used for providing 24V DC power to the air conditioner.

Placement Standard



*Place the air conditioner in a flat, dry place. There should be at least 50cm space around the product

Power Supply Connection



1. Insert the power adapter into the socket at the rear of the air conditioner, and the power indicator will be on.

*The plug-in bump on the power socket corresponds to the adapter plug

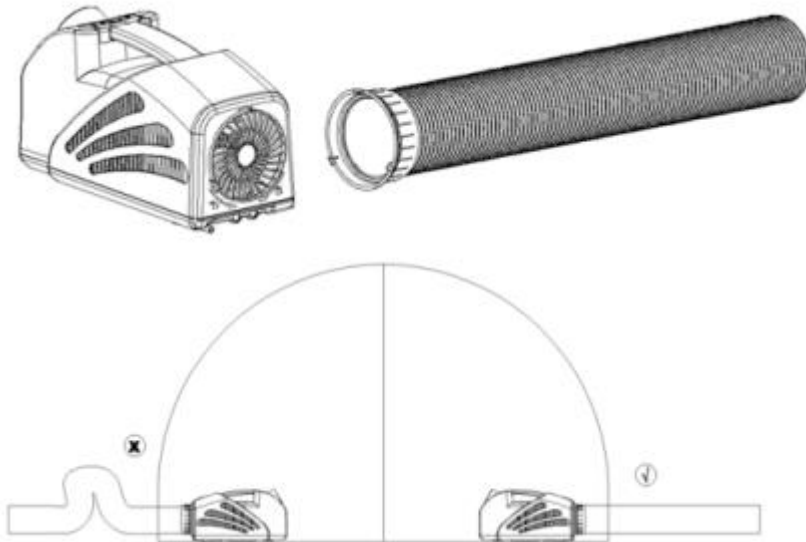


2. Considering the various uses of the product, additional power cables are provided, which can be used for your outdoor battery, RV power supply, etc.

*Must be with DC 24V standard, at least 15A current supply

Installation and Operation

A. Put the air conditioner inside the tent and hot air pipe outside

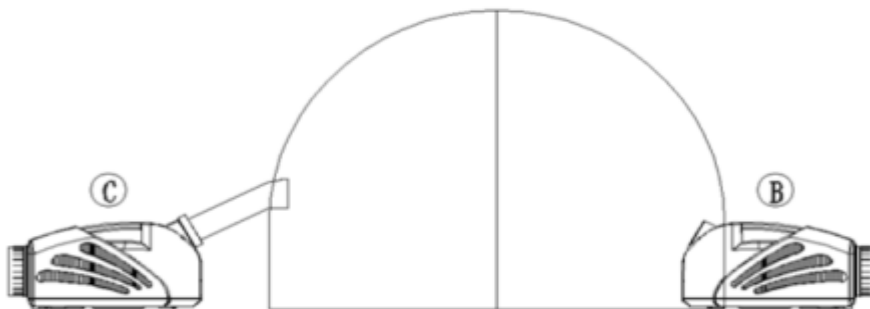


- ✧ Screw the big air duct into the threaded end of the hot air pipe joint
- ✧ Put another end out.

B. Put the cold air outlet inside the tent

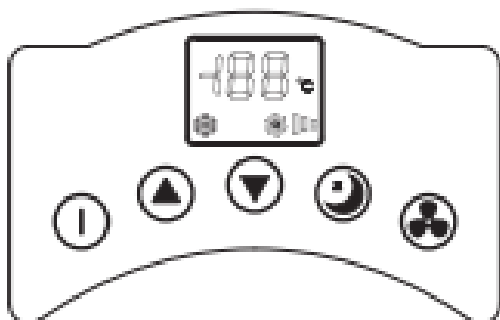
- ✧ The inlet and outlet end of the condenser are placed outside the tent






C. Put the air conditioner outside the tent and cold air blow into the tent



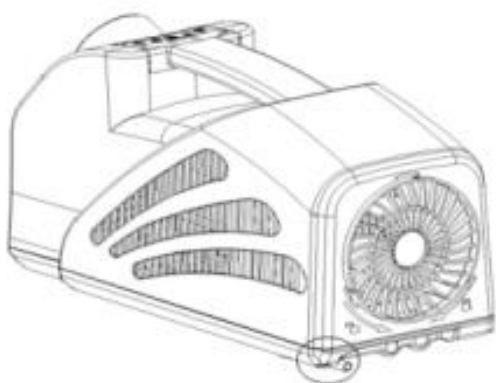
- ✧ Leave at least 50cm of space around the air conditioner
- ✧ Keep the hose straight as far as possible

Operation Panel Instruction



-  ON/OFF
-   Temperature Adjust
-  Sleep Mode
-  Fan Speed Adjust

Drainpipe Connection



Insert the drainpipe into the drain hole protruding at the lower left behind the air conditioner. When the water pipe is led outwards, it is necessary to avoid pipe folding or blocking

Operation Instruction

- ✧ Press and hold the ON/OFF for 2 seconds to turn on, and then press 2 seconds to turn off
- ✧ If there is no operation after startup, the screen will display the current air outlet temperature, air volume and mode
- ✧ When the air conditioner is turned on, it will automatically enter the cooling mode. The snowflake icon on the screen indicates that it is cooling. If you only need air blow without refrigeration, you can choose sleep mode and then snowflake icon will disappear. Press the sleep mode key to switch between sleep mode and cooling mode
- ✧ Press the temperature up and down keys to adjust the air outlet temperature. The temperature digital flashing display indicates that the setting is in progress. If you press and hold the temperature continuously, you can quickly and continuously add or subtract the set temperature. After stopping the operation, the flashing stops for 5 seconds, and automatically exits the setting state and restores the display of the actual outlet temperature. When the outlet temperature drops to the set value, the system will automatically reduce the cooling capacity and power consumption to energy saving. When the temperature rises, turbo will be resumed
- ✧ Press the air volume key to adjust and set the required air volume. The air volume grid flashes to indicate that it is setting. The three-gear wind speed can be set. After stopping the operation, the flashing will stop for 5 seconds, and the setting state will be automatically exited

Routine Maintenance

- Cleaning:

- ✧ Wipe the air conditioner with warm and wet cloth. If it is too dirty, wipe it with neutral detergent, and then dry the water stain with dishcloth

- Plastic parts maintenance:

- ✧ To properly protect the air conditioner, it must always be kept clean, and try to avoid oil stain and deformation when using. If the oil is attached to the plastic parts for a long time, the plastic is prone to aging or cracking, and gives off odor. Therefore, we should form the habit of regular cleaning.

It is strictly forbidden to use water to clean the air conditioner directly, so as to prevent the electrical insulation from reducing and rusting. The following things will damage the coating, plastic parts and cannot be used for cleaning: alkaline detergent, soap, grinding powder, hot water, brush, Tiana water, gasoline, alcohol.

Specification

Model	QN650		
Refrigerant	R134A	Cooling Capacity	2350BTU
Rated Voltage	24V	Rated Current	10A
Net Weight	9.5kg	Gross Weight	12kg
IP	IPX3	Ambient	3~42°C
Noise	<55db	Temperature	37~107°F

Disclaimers:

- ✧ Refrigerator damage due to over voltage or mechanical damage
- ✧ Modification to refrigerator without permission
- ✧ Not follow the instruction manual
- ✧ Do not operate if product damage is found