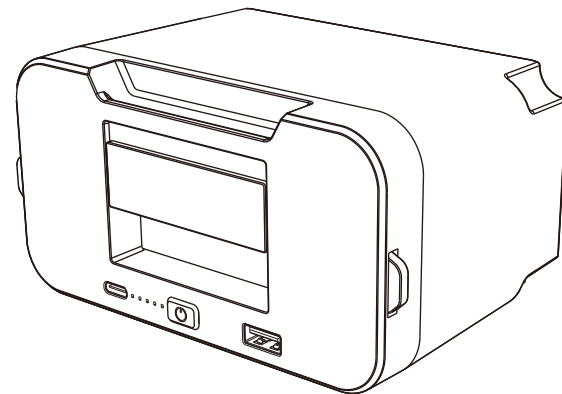
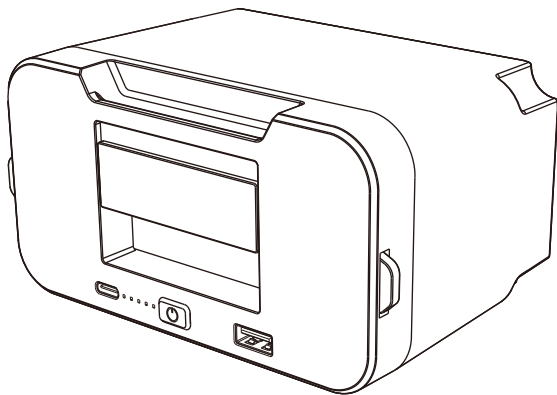


BATTERY

DB01

Operating Manual



1. Overview

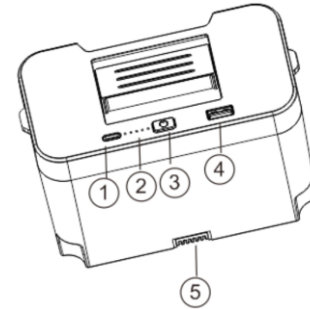
This product supports the use of most car refrigerators and supports charging of digital products such as mobile phones, tablets, MP3, MP4, and digital cameras with DC 5V USB input; The USB port has QC3.0 fast charging function, supporting a maximum output of 18W; TYPE-C supports the PD3.0 protocol with a maximum capacity of 60W, and this product also supports 60W fast charging.

2. Specification

Model	DB01
Voltage	10.95V
Capacity	15600mAh
Capacity	170.82Wh
Net Weight	1.05kg/2.31lbs
Dimension	5.7x3.58x2.95(inch)
Cell	Lithium INR18650
Input	TYPE-C: 5V-20V(Max.60W)
	6pin: 9V-12.6V/7.8A (Max.100W)
Output	USB: QC3.0 5V/2.1A 9V/2A(Max.18W)
	6pin :9-12.6V/10A(Max.120W)
	TYPE-C: 5V-20V(Max.60W)
Temperature range (Charging)	0°C ~ 50°C
Temperature range (Discharging)	-10°C ~ 60°C
Temperature range (Storage)	0°C ~ 45°C
Storage Humidity	45% ~85%RH
Storage time	It is recommended to recharge the battery once if it has not been used for more than 90 days

3. Layout

- ① Type-C port: PD3.0 fast charging input and output ports (self wake-up and shutdown).
- ② LED: Battery level display.
- ③ Button: Power indicator, 6pin port open and close.
- ④ USB port: QC3.0 fast charging output (load swapping with automatic wake-up function).
- ⑤ 6pin Port:9V-12.6V.



4. Button Instruction

- Short press the button once to light up the LED and display the battery level for 5 seconds, without opening the output port.
- Press and hold for 2 seconds to turn on/off the output; When the product is not in use, please press and hold for 2 seconds to turn off the output;

5. LED Display Instruction

Charging Instruction

Indication	Charging Indication		Power Indication (Blue Light)				Indication
	LED1		LED2	LED3	LED4	LED5	
	Blue Discharge	Green Charge					
0%-25%	○	●	⊙	⊙	⊙	⊙	1 st light Green, 2-5 running and flashing
25%-50%	○	●	●	⊙	⊙	⊙	1-2 nd ON, 3-5 light running and flashing
50%-75%	○	●	●	●	⊙	⊙	1-3 rd ON, 4-5 light running and flashing
75%-100%	○	●	●	●	●	⊙	1-4 rd ON, 5 th light flashing
100%	○	●	●	●	●	●	100%, all the 5 lights ON

“●” LED ON

“⊙” LED Flash

“○” LED OFF

Discharging Instruction

Indication	Charging Indication		Power Indication (Blue Light)				Indication
	LED1		LED2	LED3	LED4	LED5	
	Blue Discharge	Green Charge					
100%-75%	●	○	●	●	●	●	1 st light Blue, 2-5 th light ON
75%-50%	●	○	●	●	●	○	1-4 th ON, 5 th OFF
50%-25%	●	○	●	●	○	○	1-3 rd light ON, 4-5 th light OFF
25%-10%	●	○	●	○	○	○	1-2 nd light ON, 3-5 th light OFF
≥10%	●	○	⊙	○	○	○	1 st light on, 2 nd light flashing, 3-5 th OFF

“●” LED ON

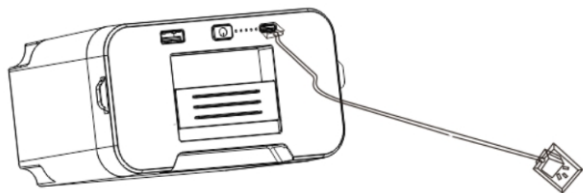
“⊙” LED Flash

“○” LED OFF

6. How to charge this product

6.1 TYPE-C: Use a PD3.0 fast charger that supports 5V-20V output as TYPE-C to charge this product (it is recommended to use a 60W charger, with a charging time of about 4 hours); When charging, the LED corresponding to the running horse flashes up, and after completing the charging, the LED remains on.

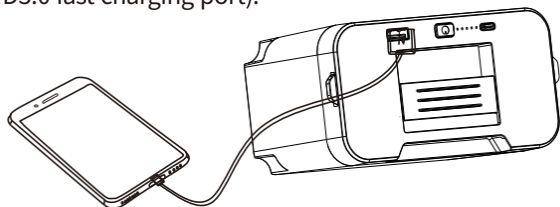
6.2 6pin port, supporting built-in charging in the refrigerator (charging time approximately 9 hours).



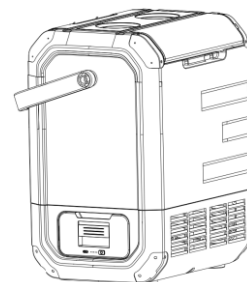
7. How to charge/power electronic products and refrigerators

① USB port: Charge/power digital products (QC3.0 fast charging port).

TYPE-C port: Charge/power digital products (PD3.0 fast charging port).



② 6pin port: Power the refrigerator and plug it into the car refrigerator battery slot. Long press the button for more than 2 seconds to turn on the power supply.



8. Note

- Do not disassemble or disassemble this product. This product does not have any detachable or maintainable spare parts installed.
- This product is strictly prohibited from being placed or used in high humidity/temperature environments (please refer to the product specifications for the scope of use).
- Do not vigorously shake, impact, strike, or throw this product.
- It is strictly prohibited to throw this product into fire or water to avoid the risk of fire and explosion.
- When not using this product, please unplug the power input cable.
- It is strictly prohibited to connect or short-circuit the output and input pins of this product with metal or other conductors.
- To avoid any abnormalities in the use of this product, please use original factory produced charging cables, adapters, power chargers, and other accessories.
- Children are not allowed to use this product unattended.